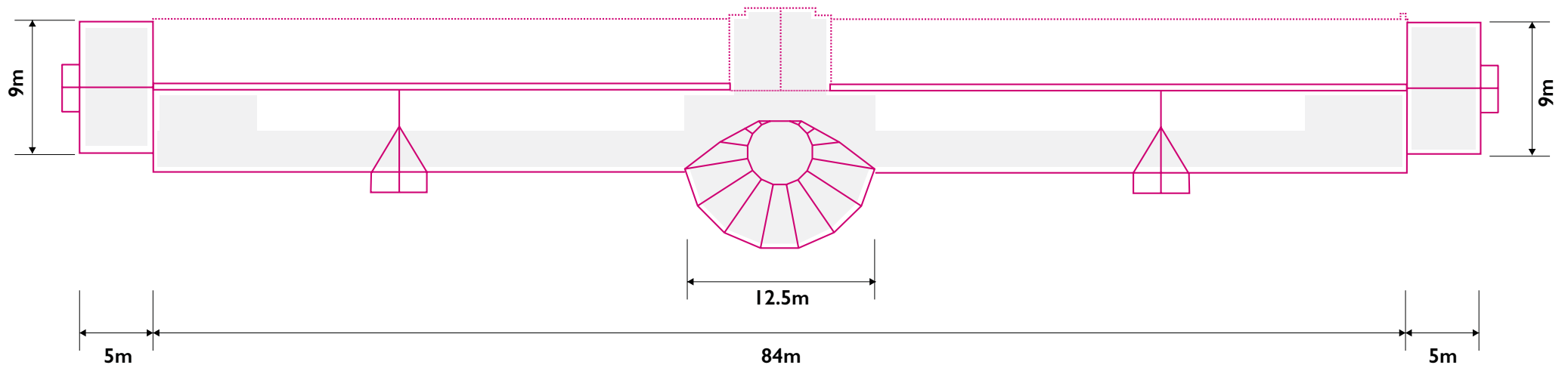




CHISWICK  
HOUSE & GARDENS

## THE CONSERVATORY



To discuss your vision call on **020 3141 3351** or email [events@chgt.org.uk](mailto:events@chgt.org.uk)